

# WHICH PMC METER DO YOU HAVE?

Before finding your wiring diagram,  
find your PMC meter first



PMC-220  
(Single phase)  
Go to page 12

Terminals 1,2,3 and 4 are all  
blanked out.



PMC-340-BA  
(Direct connection)  
Go to page 13

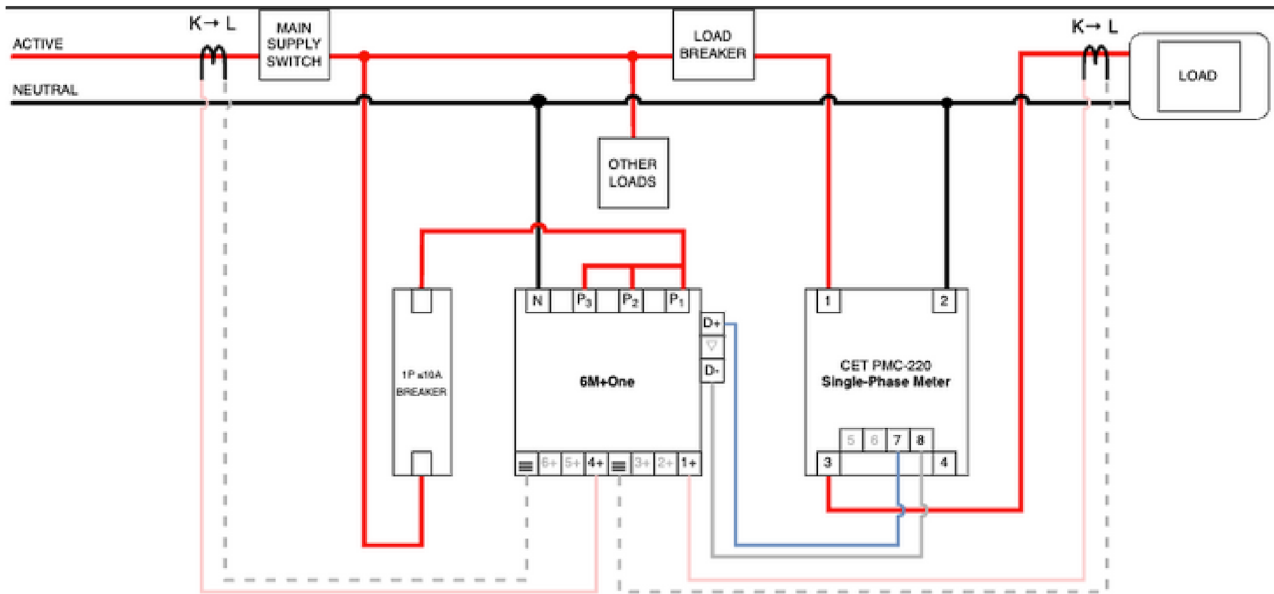
Terminals 1,2,3 and 4 are all  
present.



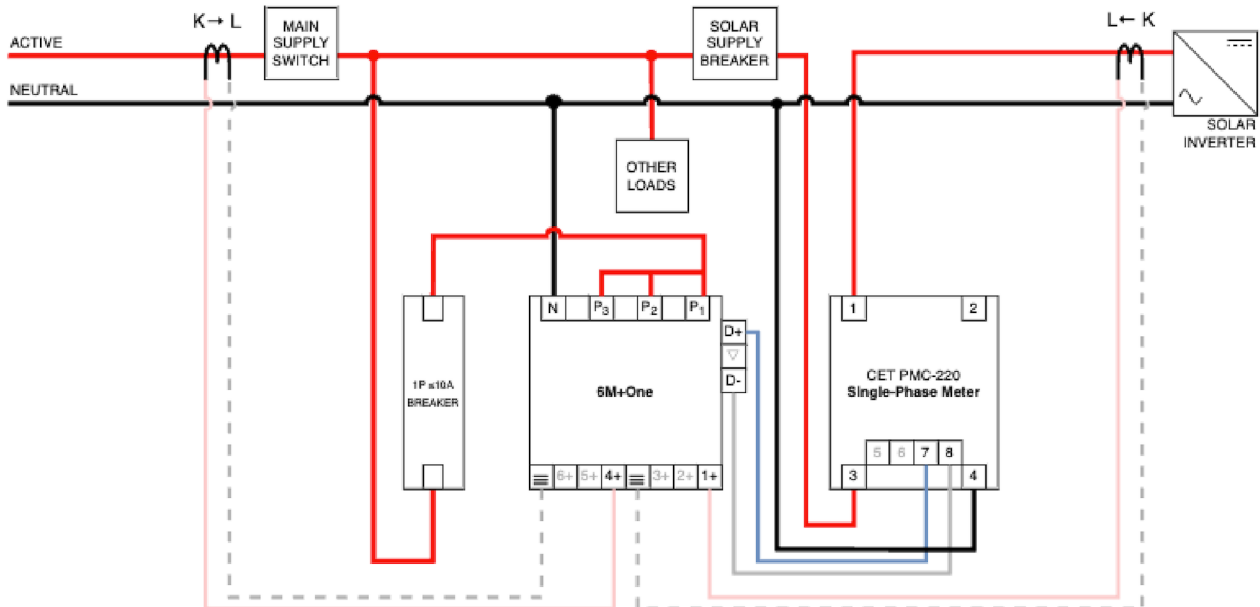
PMC-340-BB  
(CT connection)  
Go to page 14

PMC-220 (Single Phase)

Auditor is monitoring: Mains and Load  
 PMC is monitoring: Load



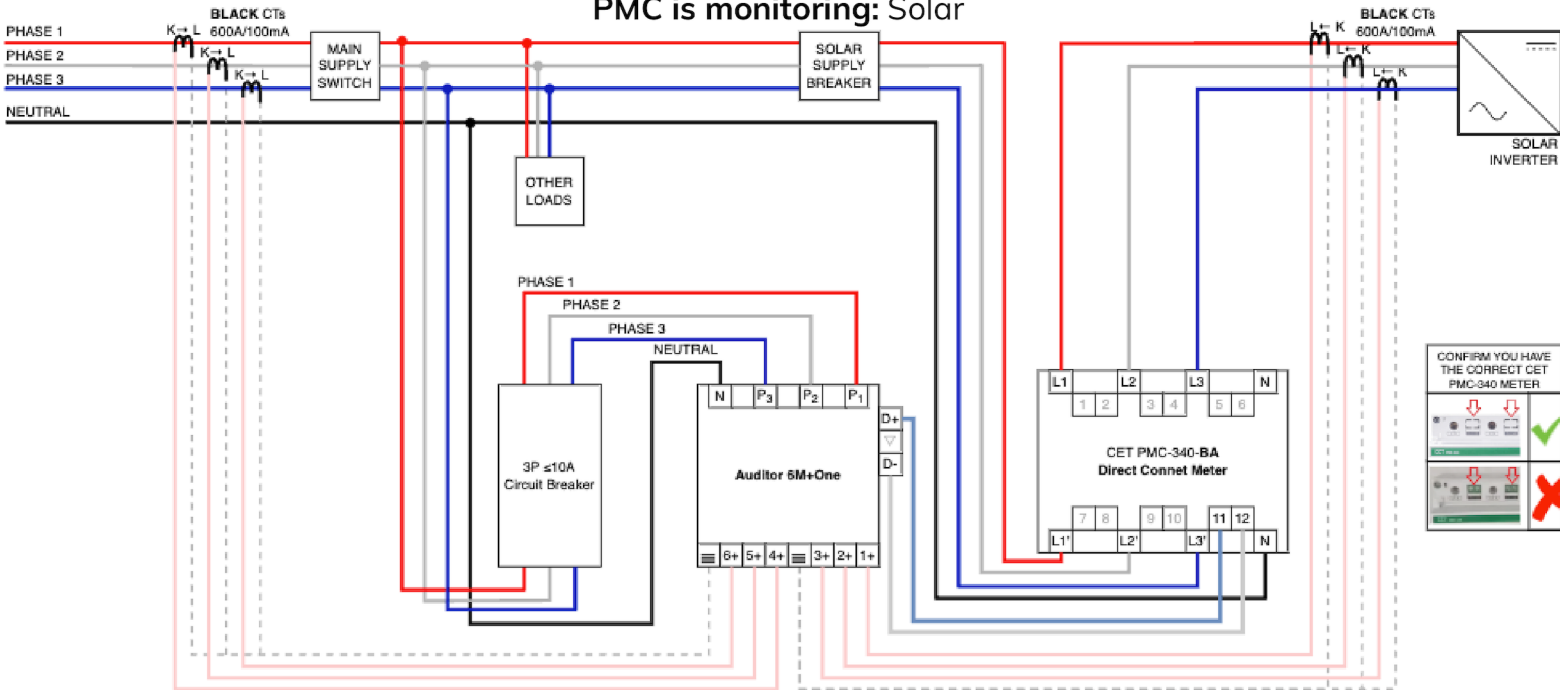
Auditor is monitoring: Mains and Solar  
 PMC is monitoring: Solar



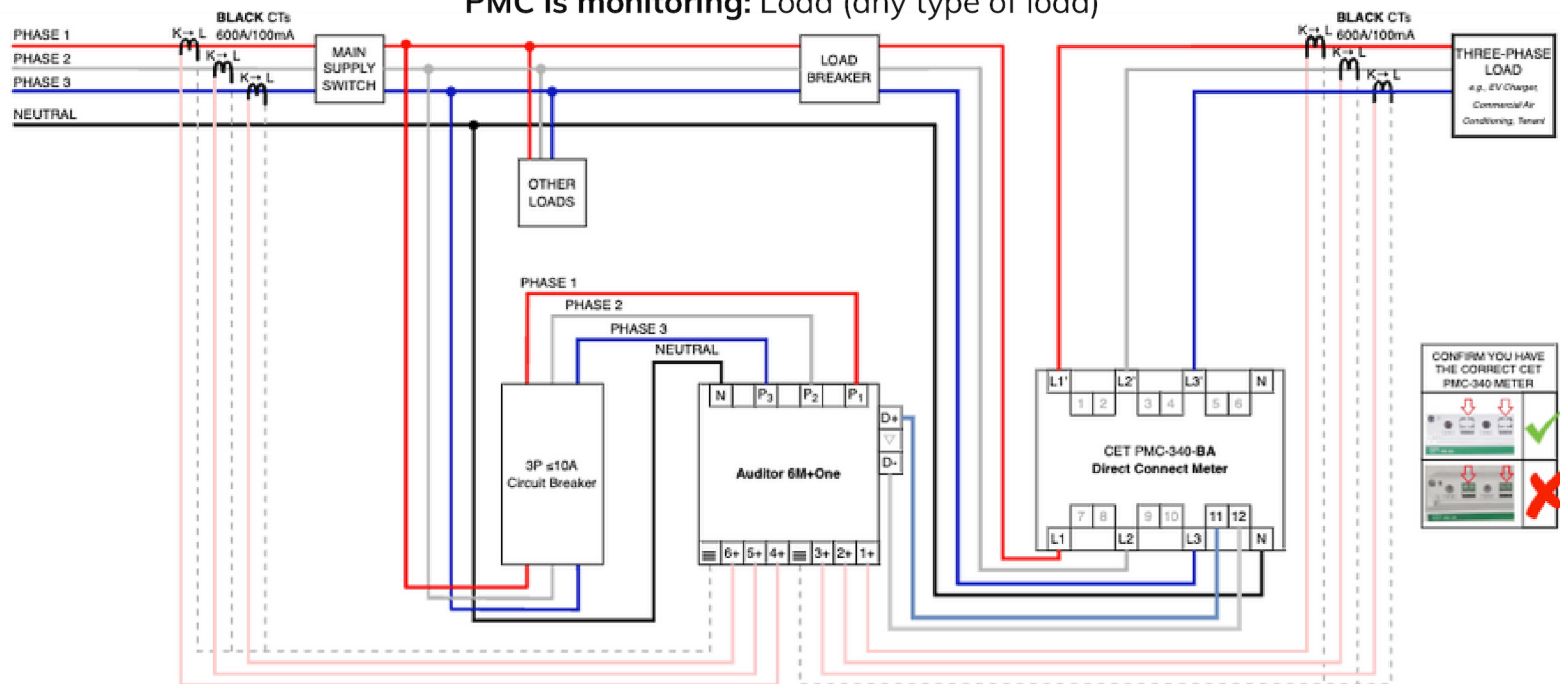
Solar	Arrow (K→L) needs to point <b>away</b> from Inverter
Grid	Arrow (K→L) needs to point <b>away</b> from Grid
Load	Arrow (K→L) needs to point <b>towards</b> the Load

PMC-340-BA (Direct connection)

Auditor is monitoring: Grid and Solar  
 PMC is monitoring: Solar



Auditor is monitoring: Grid and Load  
 PMC is monitoring: Load (any type of load)



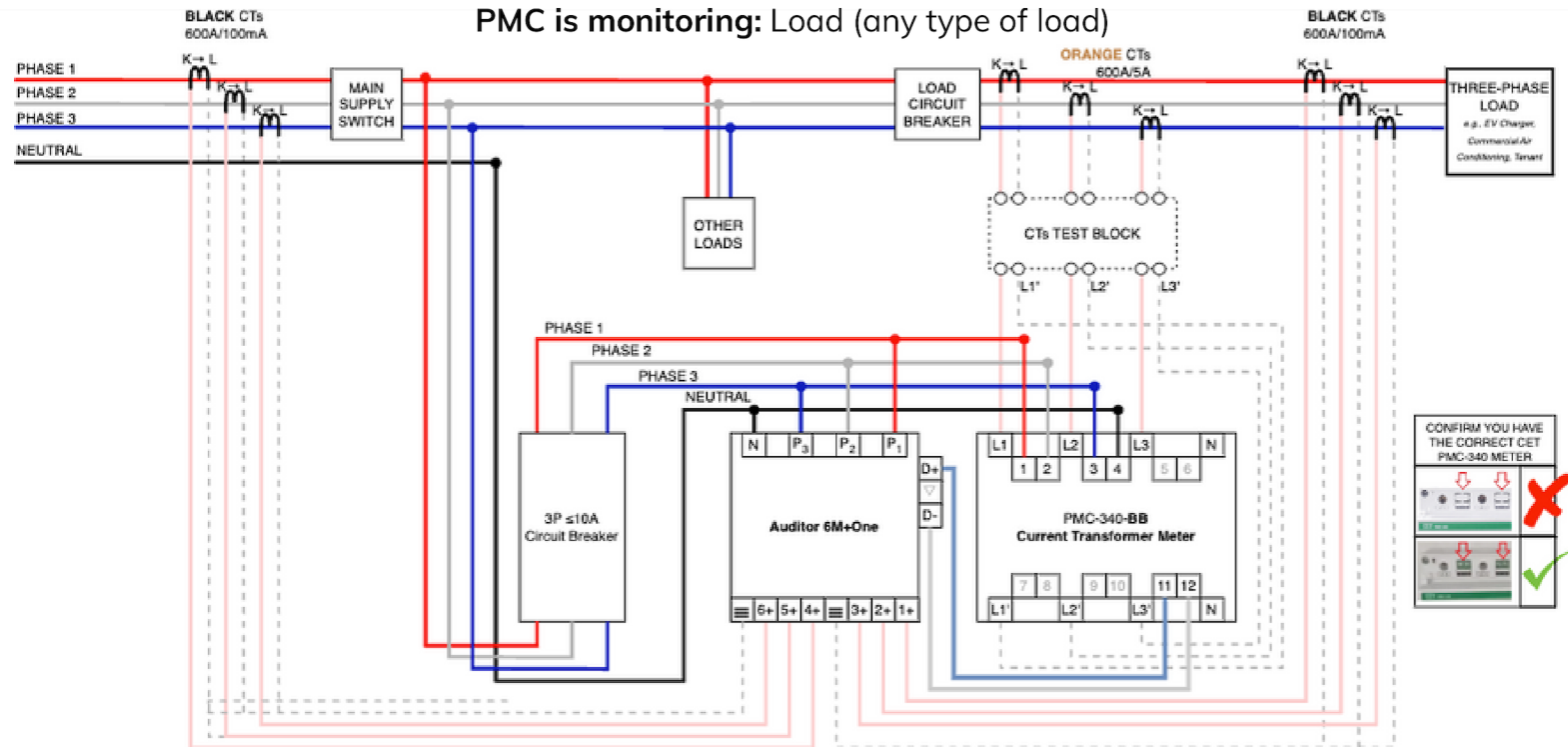
Solar	Arrow (K→L) needs to point <b>away</b> from Inverter
Grid	Arrow (K→L) needs to point <b>away</b> from Grid
Load	Arrow (K→L) needs to point <b>towards</b> the Load



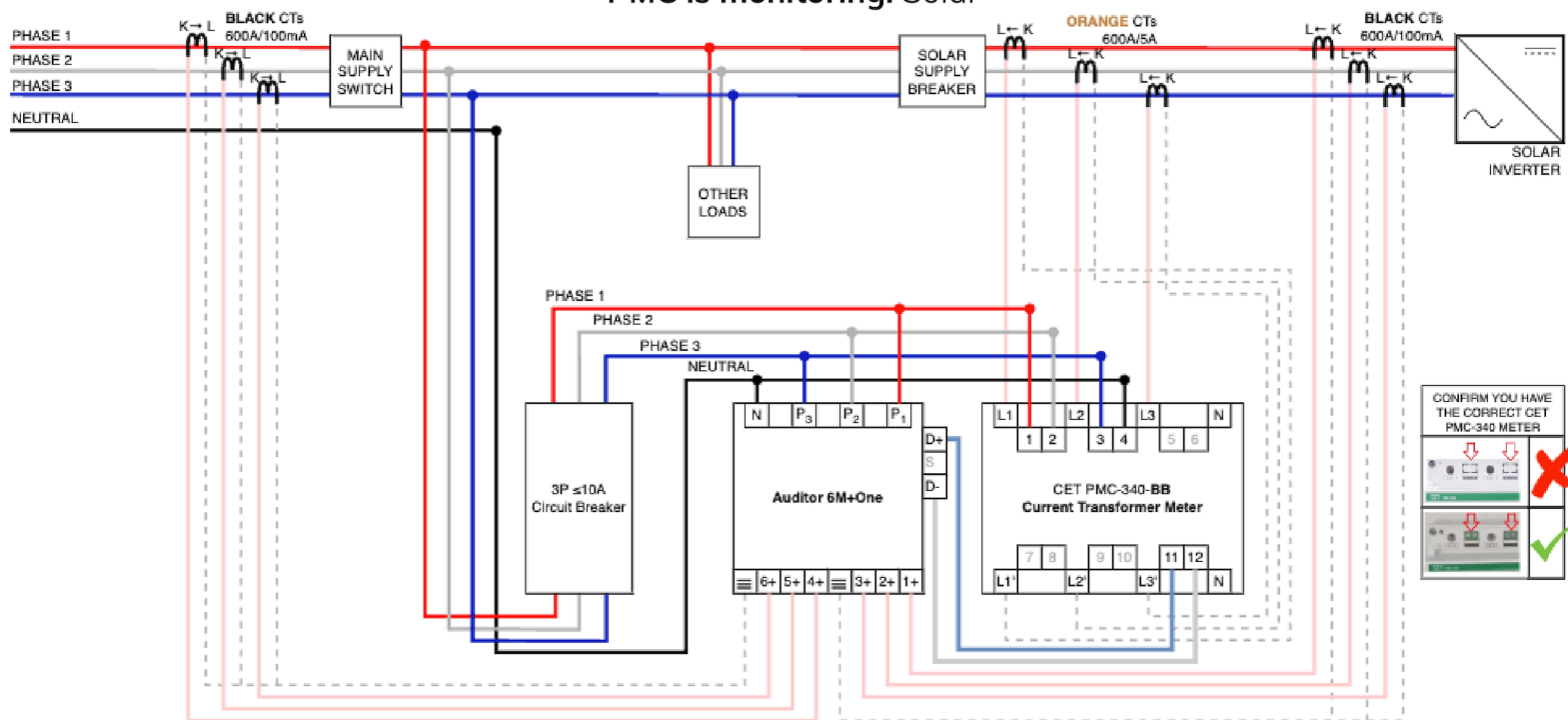
**WARNING:** Billing CTs are potentially dangerous as they have a 5A output. Turn off all power to the device and circuits being monitored when working with the billing CTs.

PMC-340-BB (CT connection)

Auditor is monitoring: Grid and Load  
 PMC is monitoring: Load (any type of load)



Auditor is monitoring: Grid and Solar  
 PMC is monitoring: Solar



Solar	Arrow (K→L) needs to point away from Inverter
Grid	Arrow (K→L) needs to point away from Grid
Load	Arrow (K→L) needs to point towards the Load